

GURU
waterproofingproducts®

INSTALLATION GUIDE PRESLOPED SYSTEM

W-S HEAVY DUTY SHOWER TRAY
FOR LINEAR DRAINS



UPGRADE YOUR INSTALLATION WITH GURU

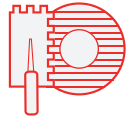
LINEAR DRAIN CONNECTOR



ABS



PVC



Bonding flange for superior thinset adhesion



Can be installed over existing drain flange



Quickest to install system



Drain repositioning system up to 3/8"

EVOLUX DRAIN & STRAINER

LISA



16" to 60" |
SS AN N G

PLUS



16" to 60" |
SS N

TEMPERED GLASS



28" & 36" |

INTEGRA



16 to 60" |

ZEN



24" |
SS N

ARTS

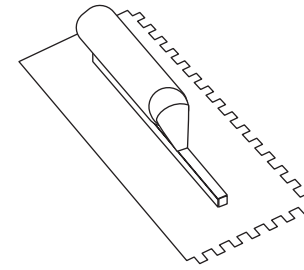


16 to 60" |
SS

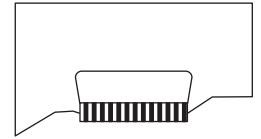
REQUIRED GURU TOOLS



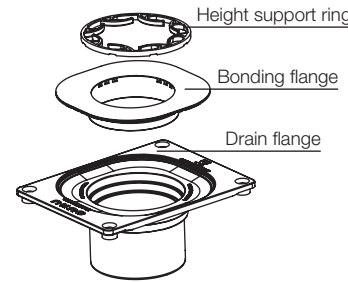
W-S Sealant



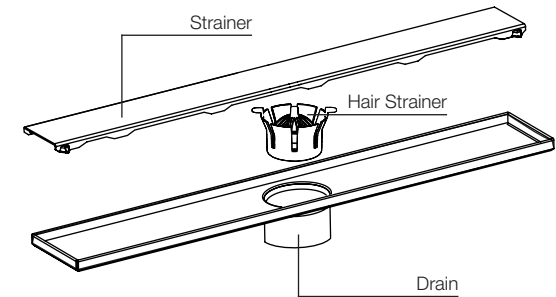
G-Trowel
1/4" x 1/4"



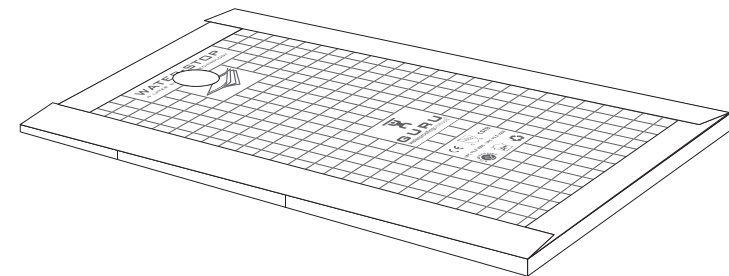
W-Spatula



Linear Drain Connector

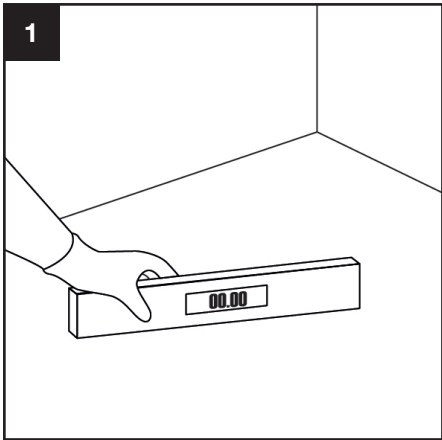


Evolux Drain & Strainer

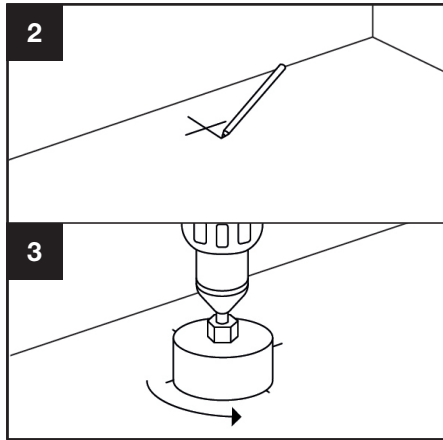


Pre-Sloped W-S Heavy Duty Shower Tray

INSTALLATION FOR HD SHOWER TRAY - LINEAR DRAIN

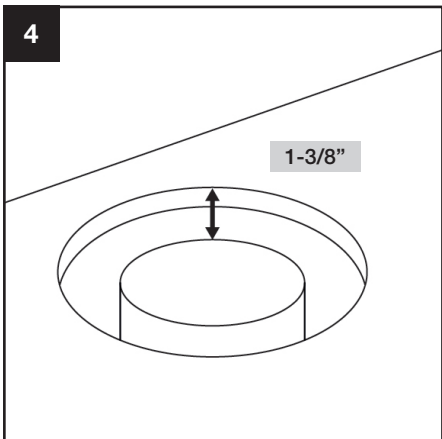


1. Verify shower conditions are in accordance with local codes.

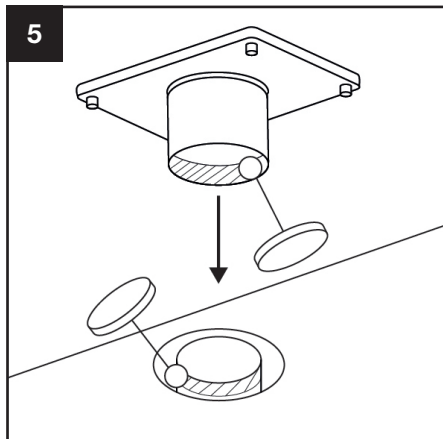


2. Position the tray marking the drain position center.

3. Make a hole size 4" (102 mm) hole in the wood where the drainpipe connection is, or where the drain is going to be installed.

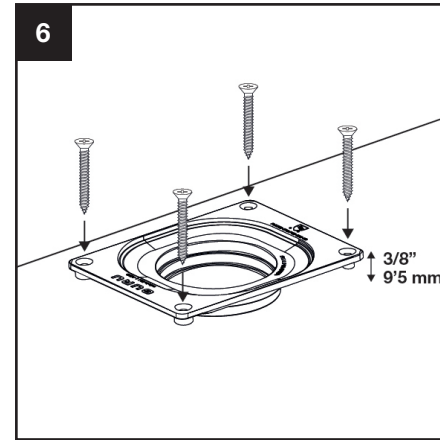


4. Verify the drainpipe is at least at 1-3/8" (33 mm) of the substrate surface.

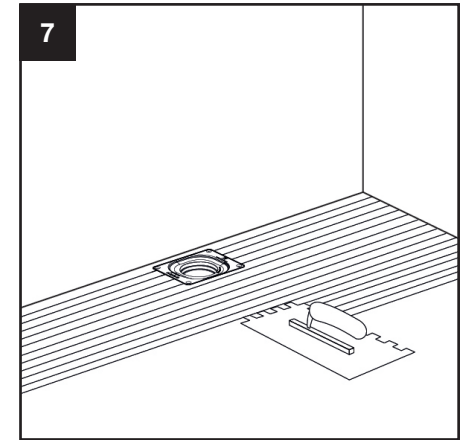


5. Glue the drain body to the drainpipe using the proper adhesive (ABS – black or PVC – white).

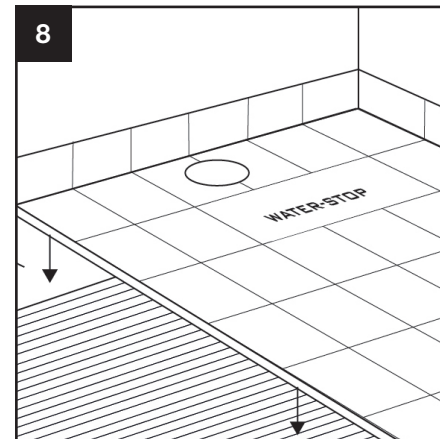
INSTALLATION FOR HD SHOWER TRAY - LINEAR DRAIN



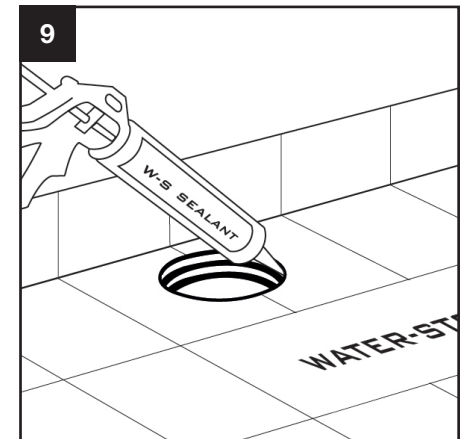
6. Screw the drainbody to the substrate and check the height **3/8"**. ***In concrete installations set the drain levelled with thinset.***



7. Apply thin set cement (tile adhesive) in the drain shower area with a 1/4" x 1/4" notched trowel from the shower perimeter to the drain. ***RECOMMENDED THINSET ANSI A118.4, ANSI A118.11 and ANSI A118.15.***

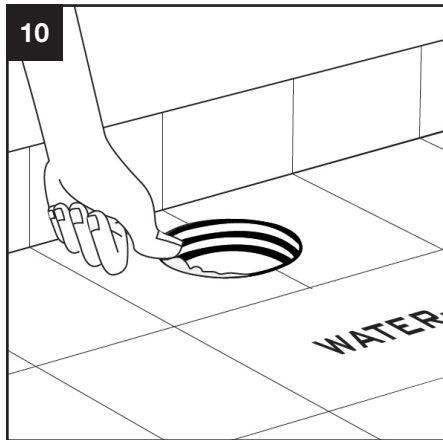


8. Set the SHOWER TRAY in top of the tinset before it cures and apply pressure on top of it.

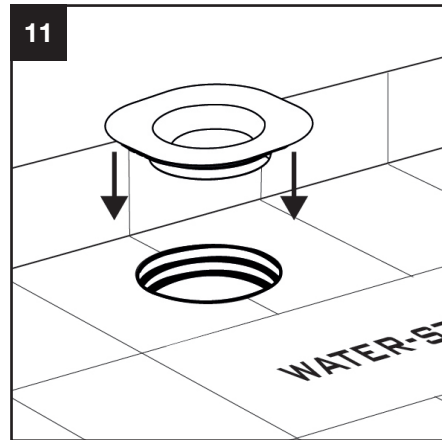


9. Lift the edge of the WATER-STOP sheet, insert the cannula of the W-S Sealant 1/2" and apply a continuous line of mastic in the connection drainbody – WATER-STOP.

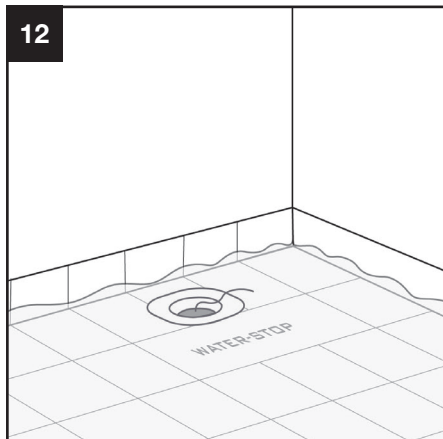
INSTALLATION FOR HD SHOWER TRAY - LINEAR DRAIN



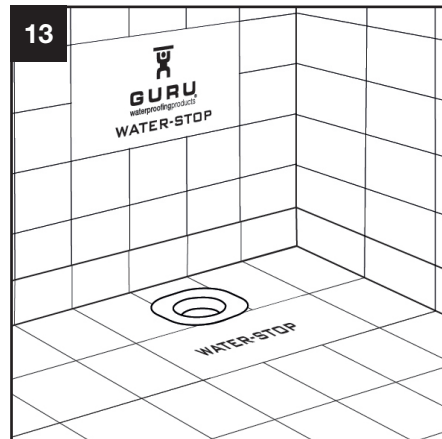
10. Press by hand to distribute the W-S Sealant and clean the excess material on the edge.



11. Place the bonding flange in top of the drainbody and press until it is lush and locked.

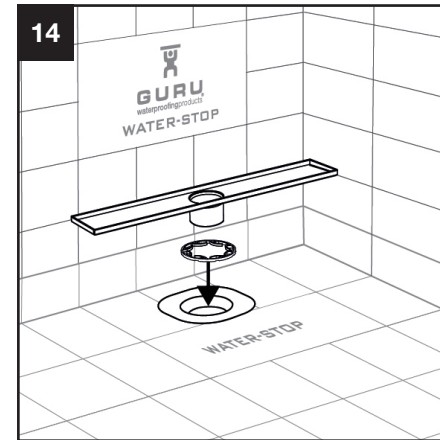


12. Flood test according to local code. If W-S Sealant has been used to install the corners, the test can be performed after 1 hour.

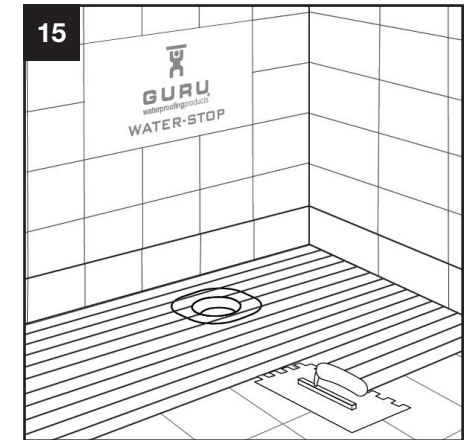


13. Waterproof the walls either with WATER-STOP sheet or W-S Board.

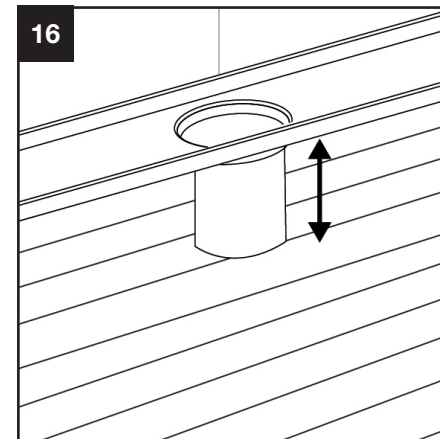
INSTALLATION FOR HD SHOWER TRAY - LINEAR DRAIN



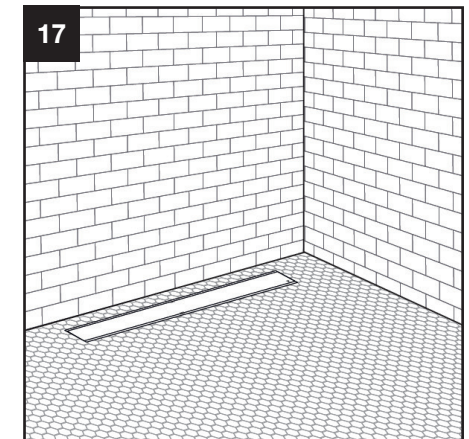
14. Place the height support ring to allow adjust of the drain height. The height may vary depending on the tile thickness.



15. Tile on top of the HEAVY DUTY SHOWER TRAY using the tile required notched trowel.



16. Adjust the height of the drain depending on the tile thickness.



17. Once tiled and grouted add the hair trap and drain strainer.

GURU[®]
waterproofingproducts

GURU USA, L.L.C.

3409 NW 72 AVE UNIT C

33122 MIAMI

FLORIDA

Ph.: +1 800-596-7885

help@guru-usa.com

www.guru-usa.com

