

GURU
waterproofingproducts®

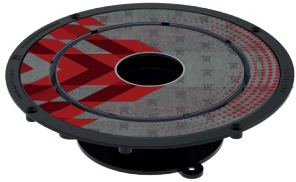
INSTALLATION GUIDE SQUARE DRAIN CONNECTOR

FOR MUD BED SHOWERS

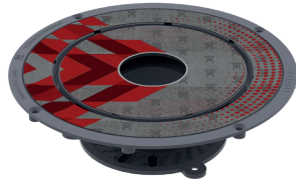


UPGRADE YOUR INSTALLATION WITH GURU

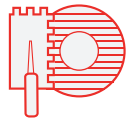
SQUARE DRAIN CONNECTOR



ABS



PVC



Bonding flange for superior thinset adhesion



Can be installed over existing drain flange



Quick system to install



Drain repositioning system up to 1/4"

EVOLUX DRAIN & STRAINER

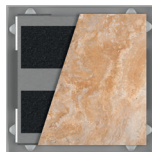
LISA



4 1/2"

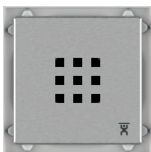


INTEGRA



4 1/2"

PLUS



4 1/2"



EVO LITE

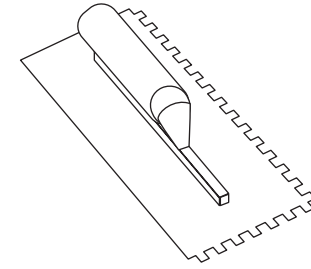


Also available with ALL EVO LITE MODELS

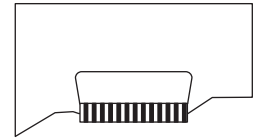
REQUIRED GURU TOOLS



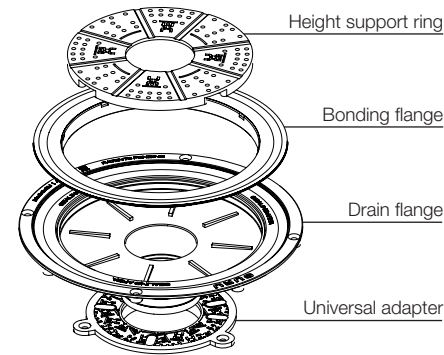
W-S Sealant



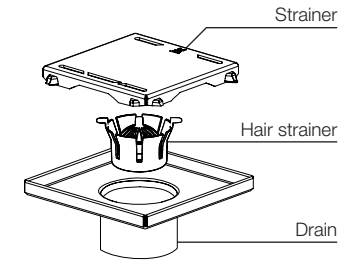
G-Trowel
1/8" x 1/8"



W-Spatula

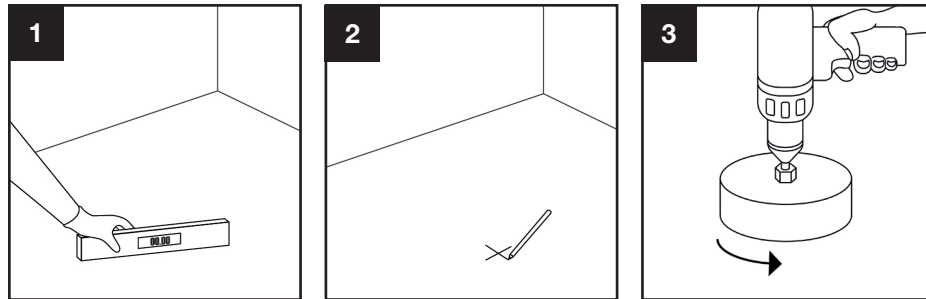
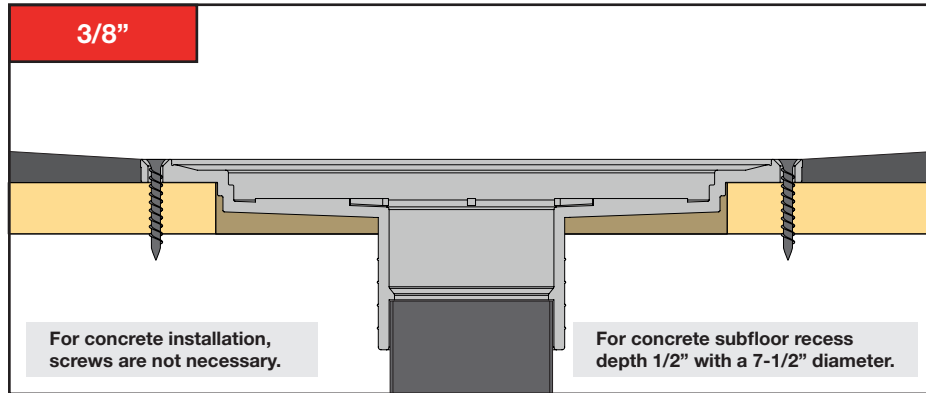


Square Drain Connector

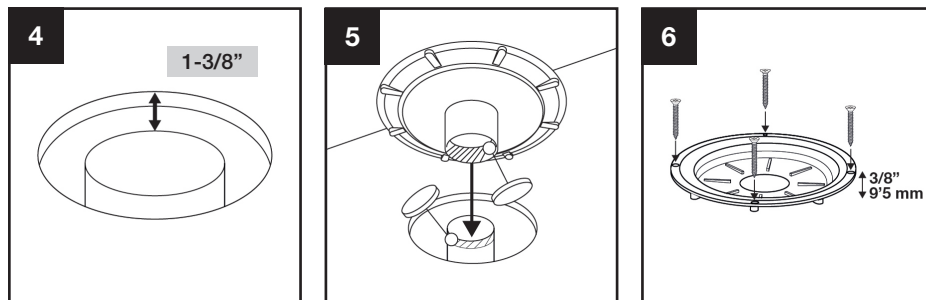


Evolux Drain & Strainer

1ST CHOOSE YOUR MUD BED HEIGHT INSTALLATION

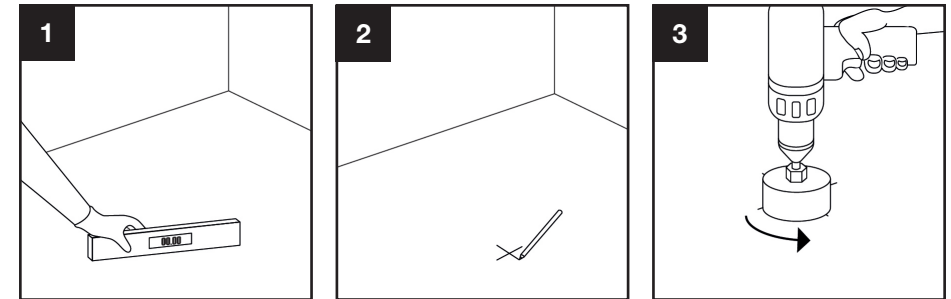
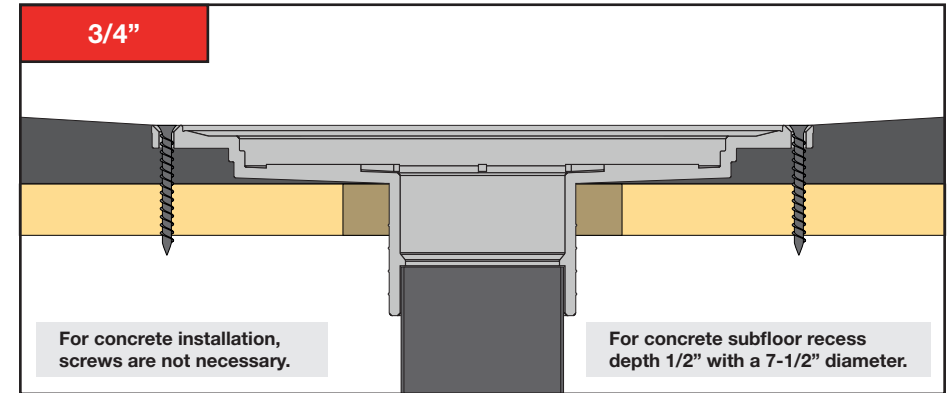


1. Verify shower conditions are in accordance with local codes.
2. Position the tray marking the drain position center.
3. Drill a **7-1/2"** (190 mm) hole in the subfloor.

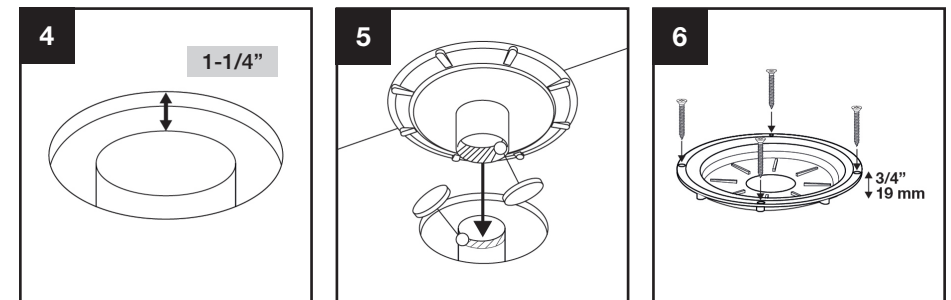


4. Verify the drainpipe is at least at **1-3/8"** below the substrate surface.
5. Glue the drain body to the 2" pipe pressing it to the minimum height (use adhesive depending on whether it is ABS – black or PVC – grey).
6. Screw the drainbody to the substrate when installing over wood and verify the mudded height will be **3/8"**.

1ST CHOOSE YOUR MUD BED HEIGHT INSTALLATION

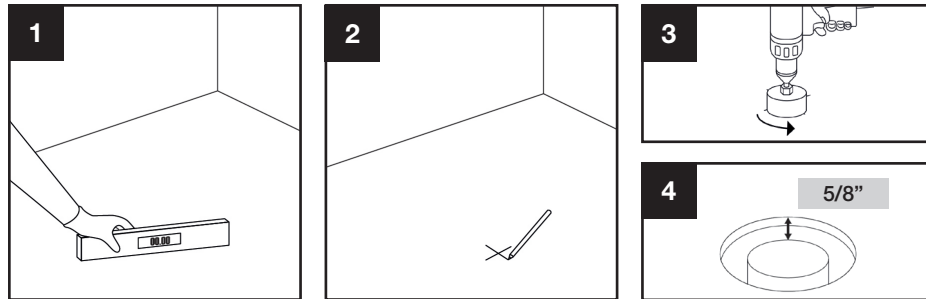
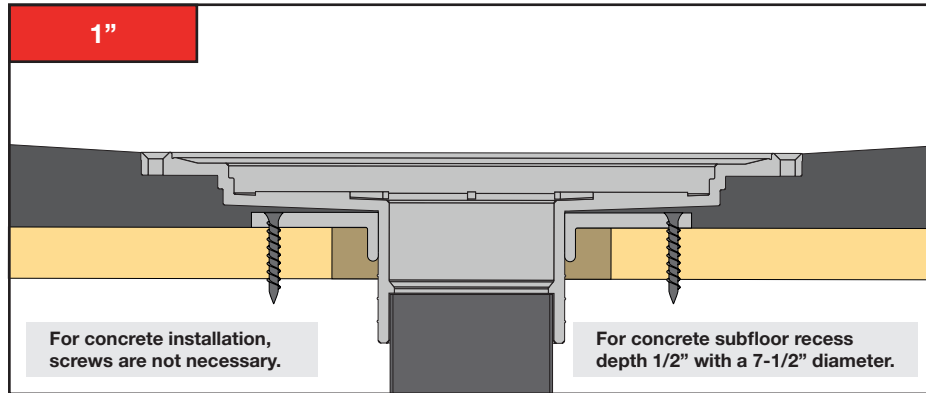


1. Verify shower conditions are in accordance with local codes.
2. Position the tray marking the drain position center.
3. Drill a **3-1/2"** (90 mm) hole in the subfloor. For concrete subfloor recess depth 1/2" with a 7-1/2" diameter.

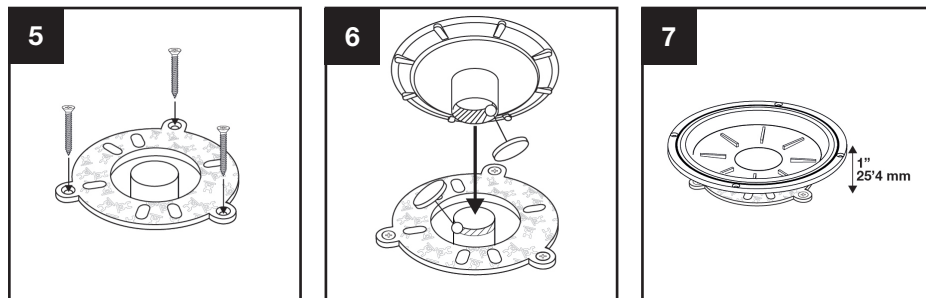


4. Verify the drainpipe is at least at **1-1/4"** below the substrate surface.
5. Glue the drain body to the 2" pipe pressing it to the minimum height (use adhesive depending on whether it is ABS – black or PVC – grey).
6. Screw the drainbody to the substrate when installing over wood and verify the mudded height will be **3/4"**.

1ST CHOOSE YOUR MUD BED HEIGHT INSTALLATION

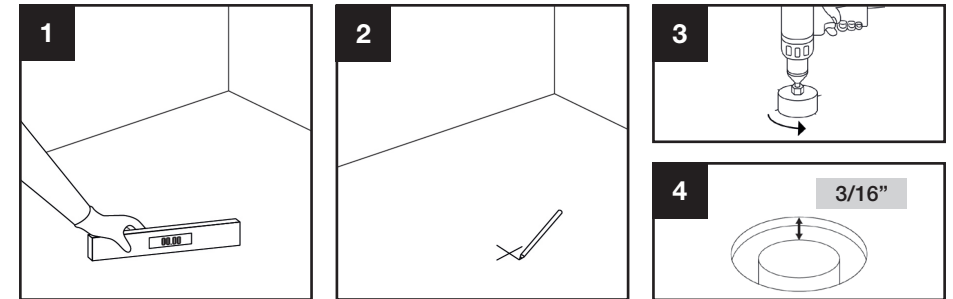
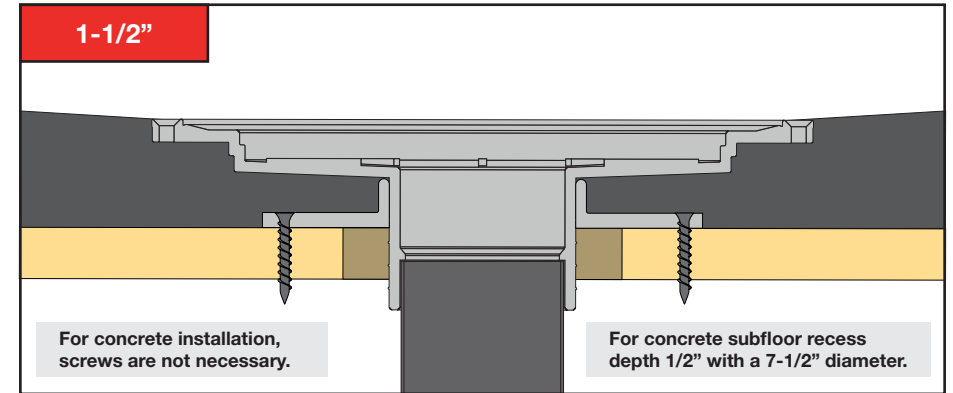


1. Verify shower conditions are in accordance with local codes.
2. Position the tray marking the drain position center.
3. Drill a **3-1/2"** (90 mm) hole in the subfloor.
4. Verify the drainpipe is at least at **5/8"** of the substrate surface.

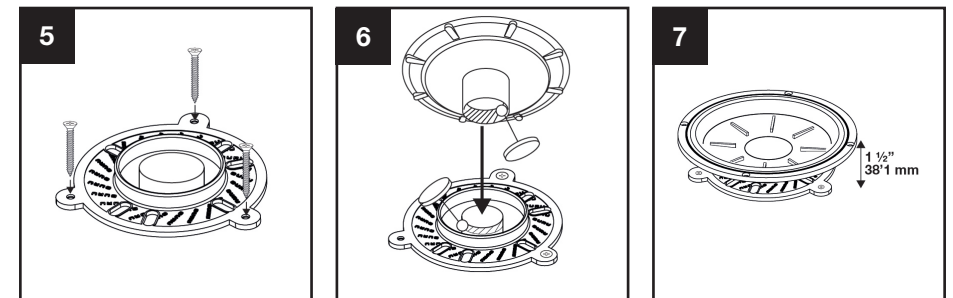


5. Screw the universal adapter to the substrate. Make sure the adapter is in the lower height position (Guru man seen).
6. Glue the drain body to the 2" pipe pressing it to the minimum height (use adhesive depending on whether it is ABS – or PVC).
7. Verify the mudbed height will be **1"**.

1ST CHOOSE YOUR MUD BED HEIGHT INSTALLATION

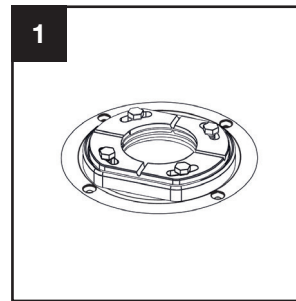
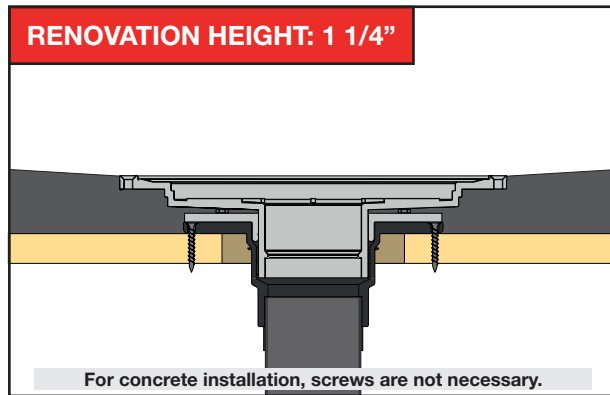


1. Verify shower conditions are in accordance with local codes.
2. Position the tray marking the drain position center.
3. Drill a **3-1/2"** (90 mm) hole in the subfloor.
4. Verify the drainpipe is at least at **3/16"** of the substrate surface.

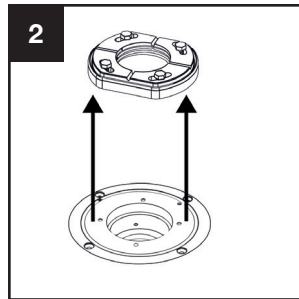


5. Screw the universal adapter to the substrate. Make sure the adapter is in the higher height position (GURU logo seen).
6. Glue the drain body to the 2" pipe pressing it to the minimum height (use adhesive depending on whether it is ABS – or PVC).
7. Verify the mudbed height will be **1-1/2"**.

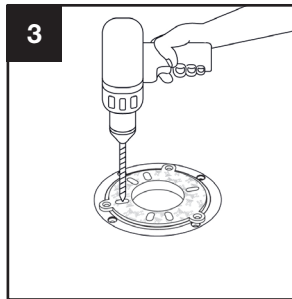
1ST CHOOSE YOUR MUD BED HEIGHT INSTALLATION



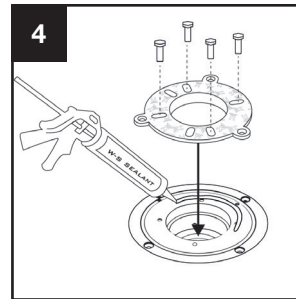
1 Clear out completely the existing drain, tiling and waterproofing at least in the area surrounding the drain.



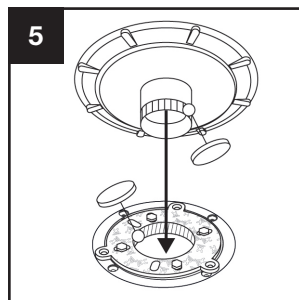
2 Remove the existing bolts and the clamping ring.



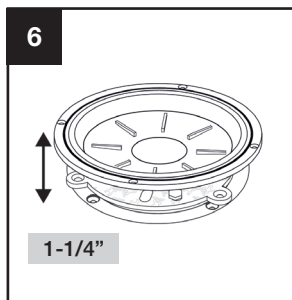
3 Drill the screw holes in the universal adapter facing down according to the old drainbody screw pattern.



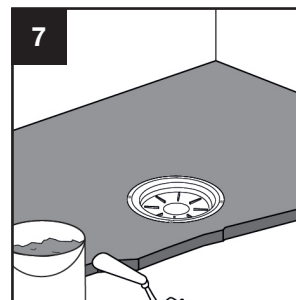
4 Apply thick layer of W-S Sealant between the universal adapter facing down and the old drain body and screw them together.



5 Glue the new drain body to the universal adapter previously mounted. Use adhesive depending on whether it is ABS or PVC.

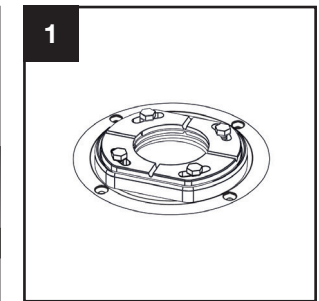
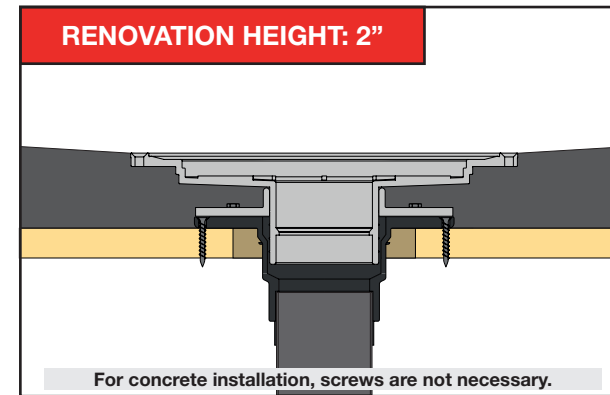


6 Verify the mudbed height will be **1-1/4"**.

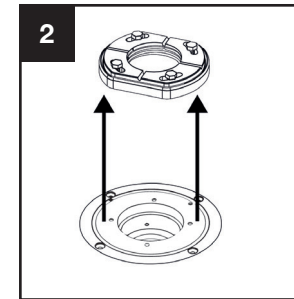


7 Pour mudbed in the drain area and verify shower slopes are according to code - 2% (1/4" per foot).

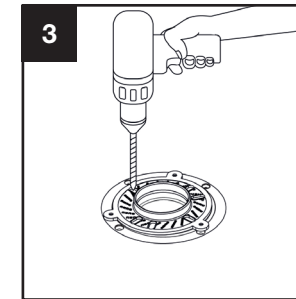
1ST CHOOSE YOUR MUD BED HEIGHT INSTALLATION



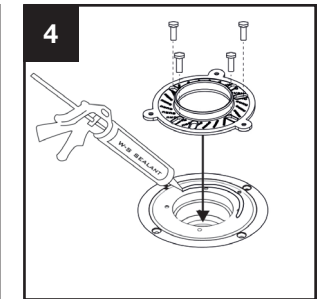
1 Clear out completely the existing drain, tiling and waterproofing at least in the area surrounding the drain.



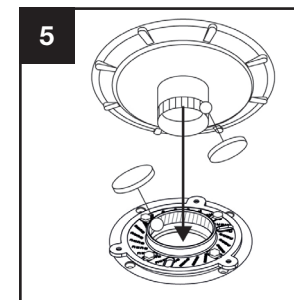
2 Remove the existing bolts and the clamping ring.



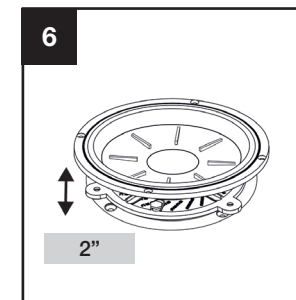
3 Drill the screw holes in the universal adapter facing up according to the old drainbody screw pattern.



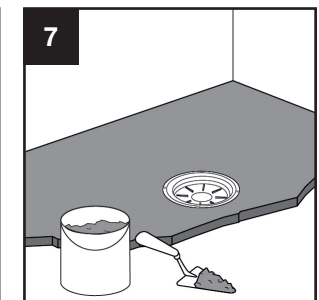
4 Apply thick layer of W-S Sealant between the universal adapter facing up and the old drain body and screw them together.



5 Glue the new drain body to the universal adapter previously mounted. Use adhesive depending on whether it is ABS or PVC.

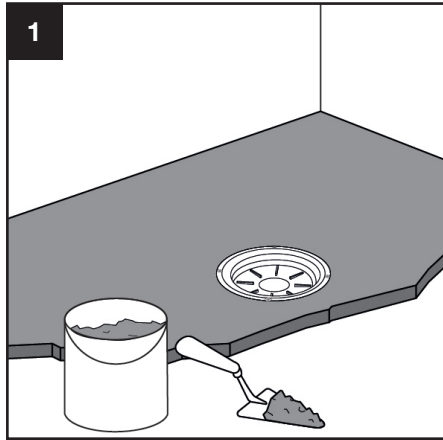


6 Verify the mudbed height will be **2"**.

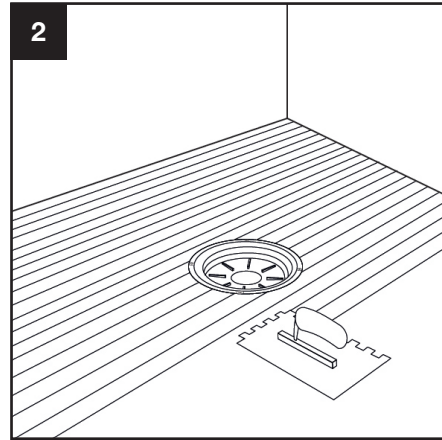


7 Pour mudbed in the drain area and verify shower slopes are according to code - 2% (1/4" per foot).

2ND CONTINUE WITH GENERAL INSTALLATION IN MUD BED

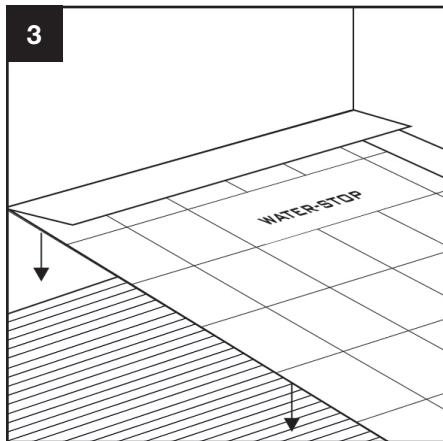


1. Pour the mud in the shower area sloping it towards the drain location based on the shower design. Mudbed must be flush to the drain flange perimeter. Slopes must be of at least 2% gradient (1/4" per foot) based on TCNA handbook.

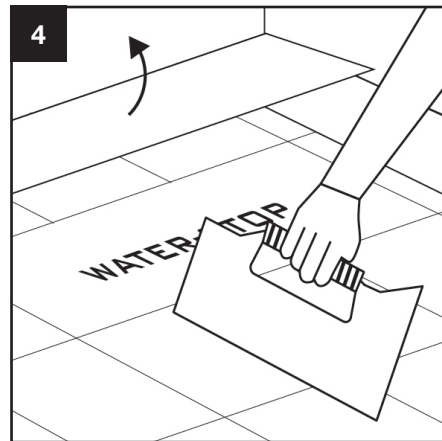


2. Once the mortar is hardened apply thin set (tile adhesive) with a 1/8" x 1/8" notched trowel from the shower perimeter to the drain.

RECOMMENDED THINSET THAT MEETS ANSI A118.4, ANSI A118.11 and ANSI A118.15.

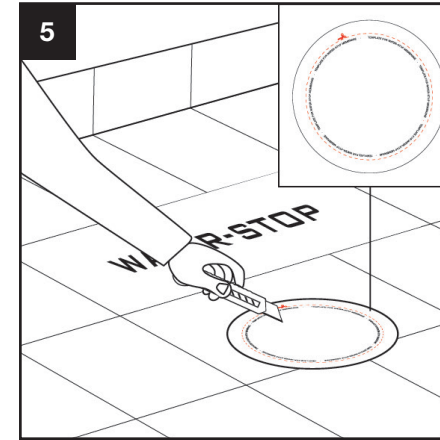


3. Install the WATER-STOP waterproofing sheet and press it.

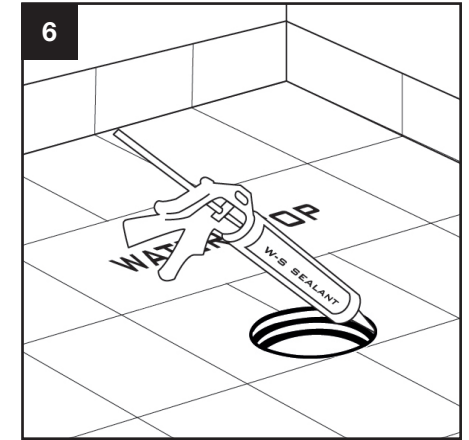


4. Push the air below the sheet out to ensure total adhesion.

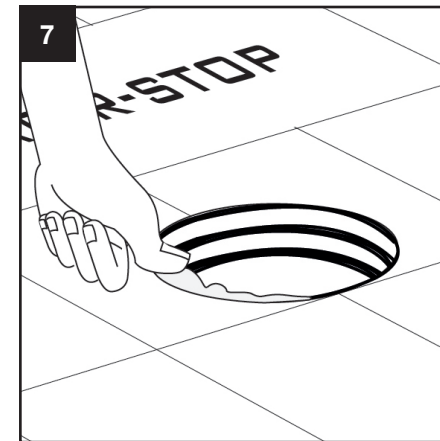
2ND CONTINUE WITH GENERAL INSTALLATION IN MUD BED



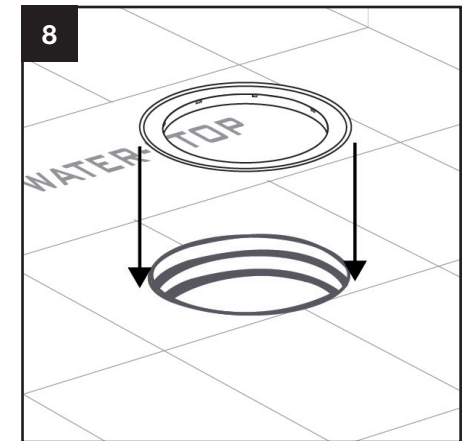
5. Use the provided template to cut a hole in the WATER-STOP sheet. Use a utility knife or scissors.



6. Lift the edge of the WATER-STOP sheet, insert the cannula of the W-S Sealant 1/2" and apply a continuous bead below the sheet.

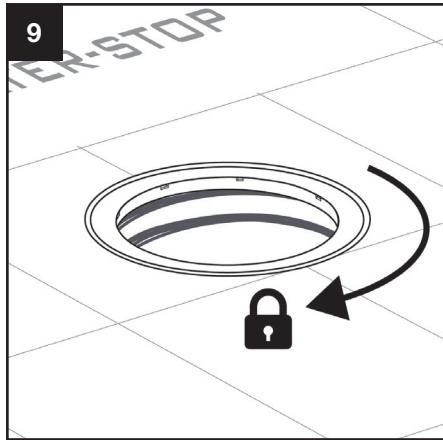


7. Press by hand to distribute the sealant and clean the excess material on the edge.

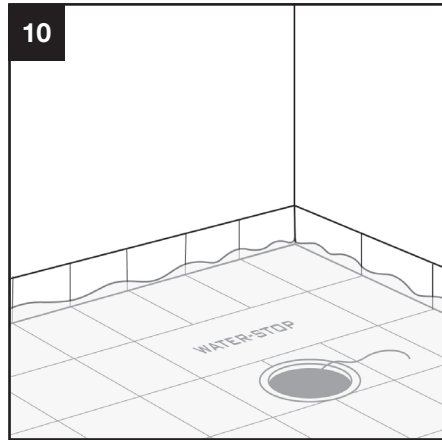


8. Place the bonding flange to the top of the drainbody and press it.

2ND CONTINUE WITH GENERAL INSTALLATION IN MUD BED

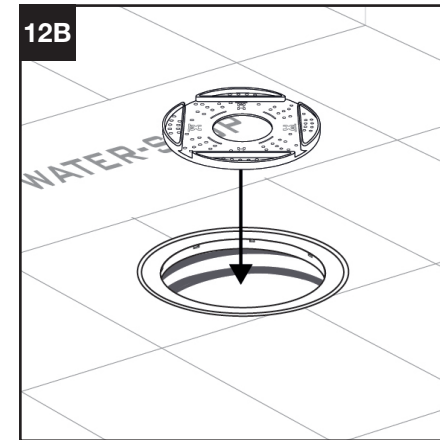


9. Turn it until it is flushed with the mudbed and locked.

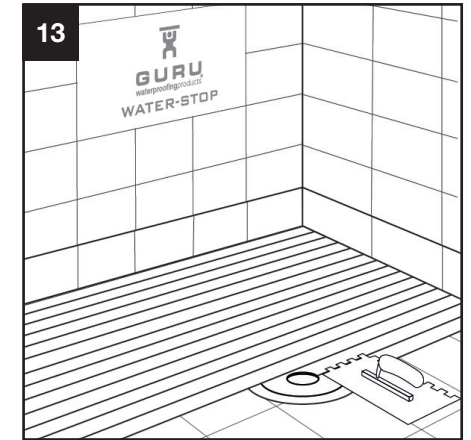


10. Wait one hour before flood test (according local codes) when using Guru W-S Sealant to install the corners.

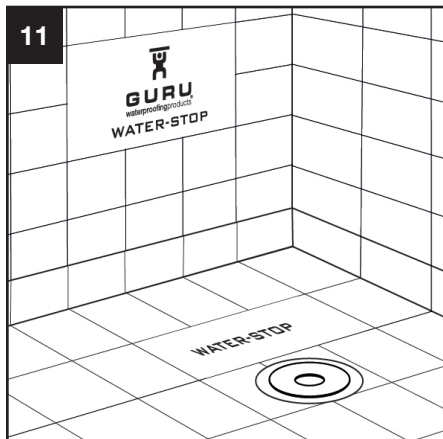
2ND CONTINUE WITH GENERAL INSTALLATION IN MUD BED



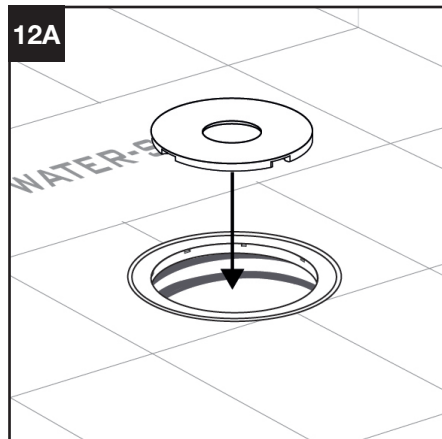
12B. Set the drain receiver in the downward position to receive a tileable drain (INTEGRA) from the lowest height level.



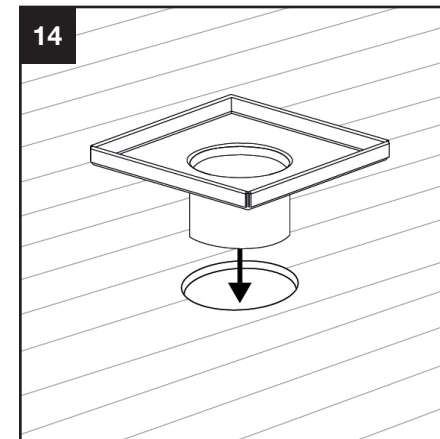
13. Tile on top of the WATER-STOP sheet using the tile required notched trowel.



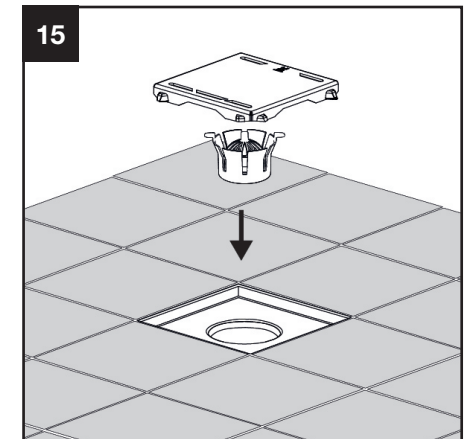
11. Waterproof the walls either with WATER-STOP sheet or W-S Board.



12A. Set the drain receiver in the upright position for standard drain.



14. Adjust the height of the drain depending on the tile thickness.



15. Once tiled and grouted add the hair trap and drain strainer.

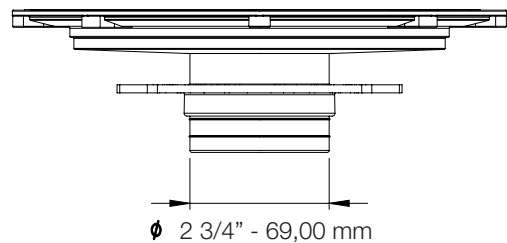
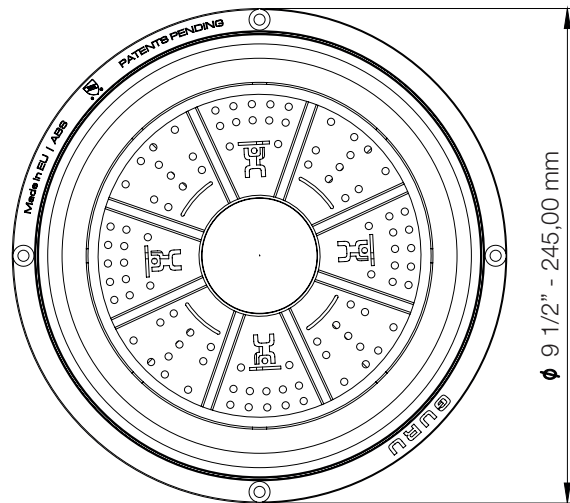
TECHNICAL DATA SHEET

SQUARE DRAIN CONNECTOR

Description: Easy to install shower pipe connection either in mud bed installations or W-S Heavy Duty Shower Tray presloped system. (Mud Bed Universal Connector Included)

Normative References: ASME A112.18.2-2020/CSA B125.2:20, ASME A112.6.3-2019, IAPMO PS 106-2015

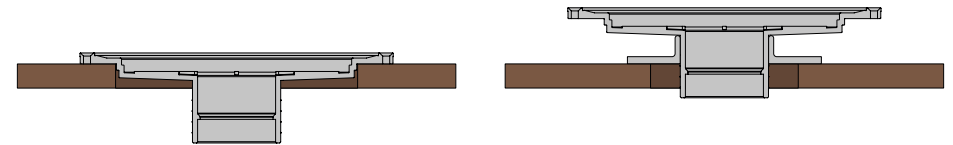
Manufacturer: GURU USA L.L.C.



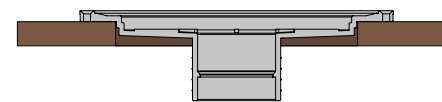
CHARACTERISTICS	METHOD	VALUE
Thermal cycling	5.3	Pass
Coatings	5.4	Pass
Load test	552	Pass
Watertightness	5.7	Pass
Flow rate	5.8	> 8.0 gpm
Hydrostatic pressure	5.9.2	Pass

Installation height options:

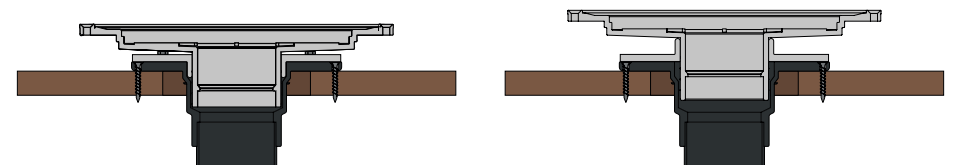
- **Mud Bed:** From 3/8" to 1-1/2".



- **W-S heavy Duty Shower Tray:** 3/8".



- **Renovation with existing drain:** From 1-1/2" to 2".



GURU
waterproofingproducts®

GURU USA, L.L.C.

3409 NW 72 AVE UNIT C

33122 MIAMI

FLORIDA

Ph.: +1 800-596-7885

help@guru-usa.com

www.guru-usa.com

