

GURU
waterproofingproducts®

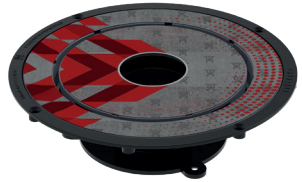
INSTALLATION GUIDE PRESLOPED SYSTEM

W-S HEAVY DUTY SHOWER TRAY
FOR SQUARE DRAINS

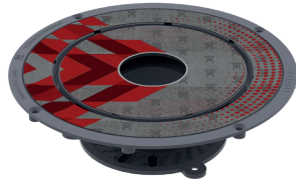


UPGRADE YOUR INSTALLATION WITH GURU

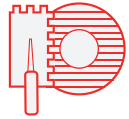
SQUARE DRAIN CONNECTOR



ABS



PVC



Bonding flange for superior thinset adhesion



Can be installed over existing drain flange



Quick system to install



Drain repositioning system up to 1/4"

EVOLUX DRAIN & STRAINER

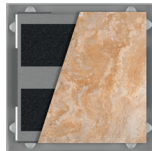
LISA



4 1/2"

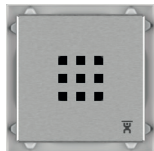


INTEGRA



4 1/2"

PLUS



4 1/2"



EVO LITE

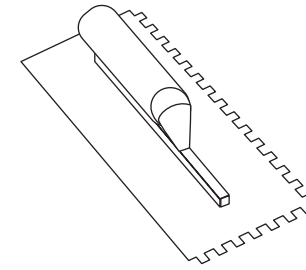


Also available with ALL EVO LITE MODELS

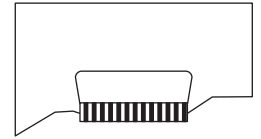
REQUIRED GURU TOOLS



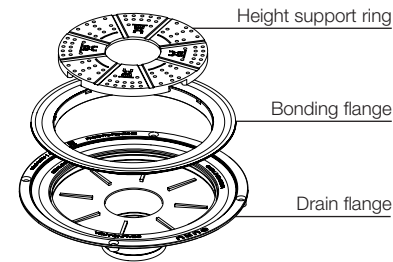
W-S Sealant



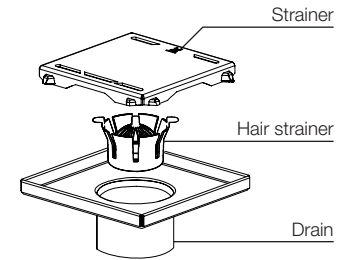
G-Trowel
1/4" x 1/4"



W-Spatula

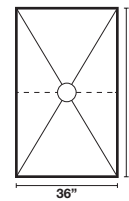


Square Drain Connector

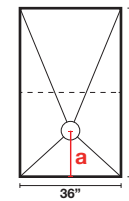


Evolux Drain & Strainer

IMU9400

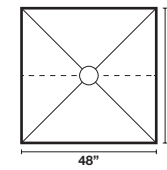


IMU9404

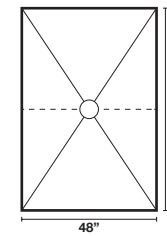


a = 10"

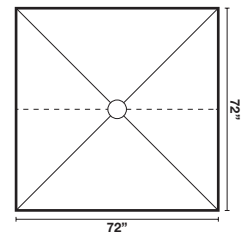
IMU9401



IMU9402

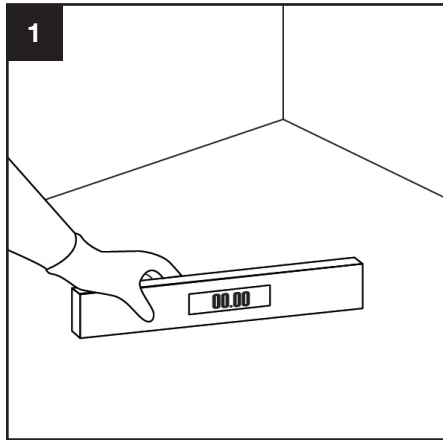


IMU9403

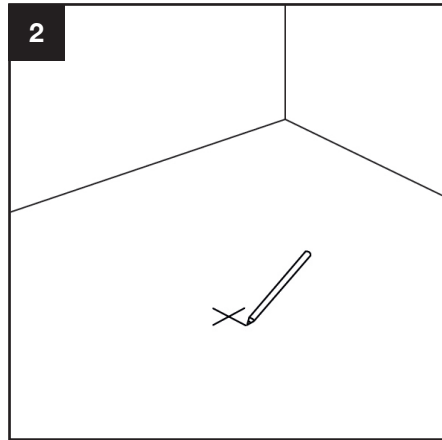


Pre-Sloped W-S Heavy Duty Shower Tray

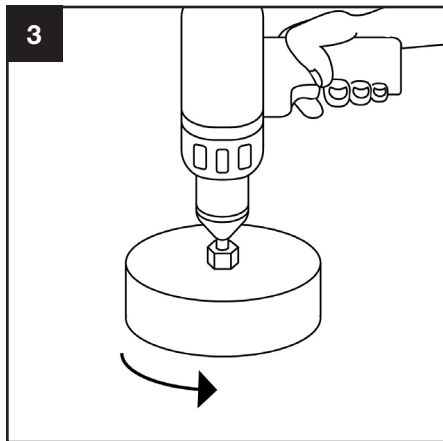
INSTALLATION FOR HD SHOWER TRAY - SQUARE DRAIN



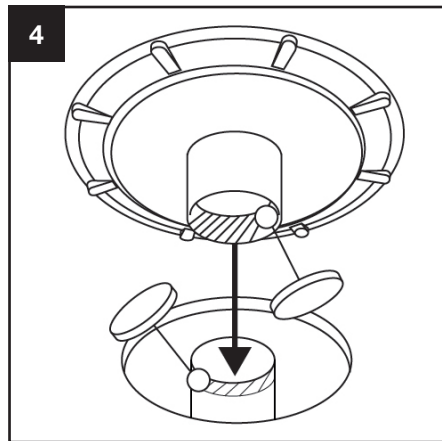
1. Verify shower conditions are in accordance with local codes.



2. Position the tray marking the drain position center. See page n° 3 for the different W-S Heavy Duty Shower Tray sizes.

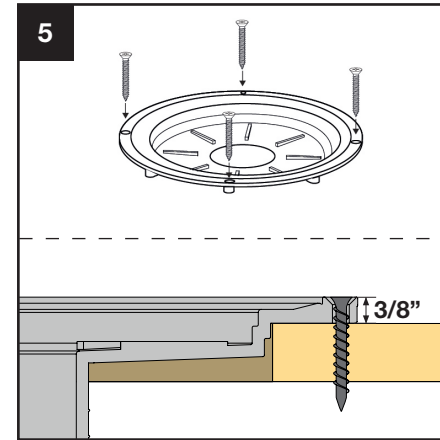


3. Cut a **7-1/2"** (190 mm) hole in the wood where the drain was previously marked. For concrete subfloor recess depth 1/2" with a 7-1/2" diameter.



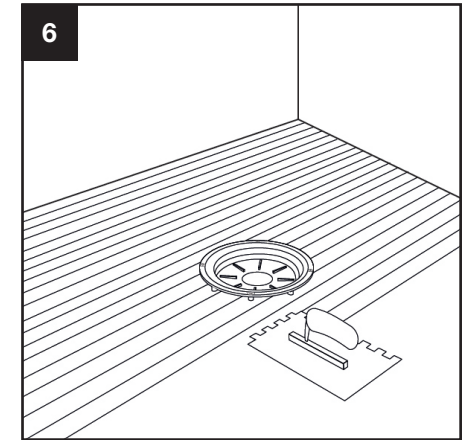
4. Glue the drain body to the drainpipe using the proper adhesive (ABS – black or PVC – white). Before gluing, verify the pipe is **1-3/8"** below the substrate surface.

INSTALLATION FOR HD SHOWER TRAY - SQUARE DRAIN

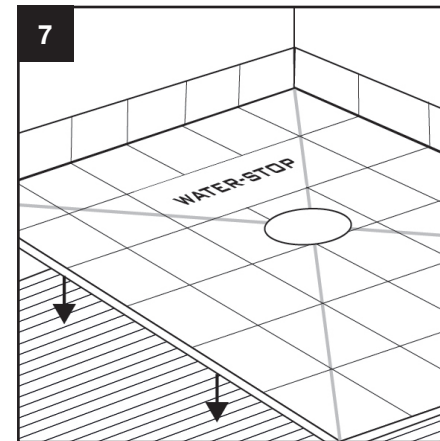


5. Screw the drainbody in the floor with drive head screws non less than 4 mm – T20. Verify the drain height, will be **3/8"**.

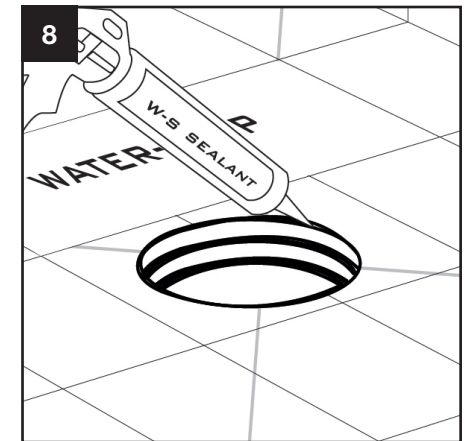
In concrete installations set the drain levelled with thinset.



6. Apply thin set cement (tile adhesive) in the drain shower area with a 1/4" x 1/4" notched trowel from the shower perimeter to the drain.

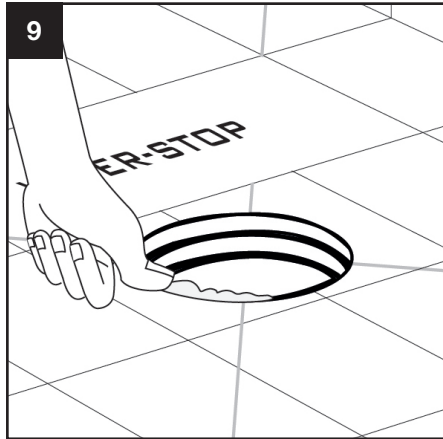


7. Set the SHOWER TRAY in top of the tinset before it cures and apply pressure on top of it.

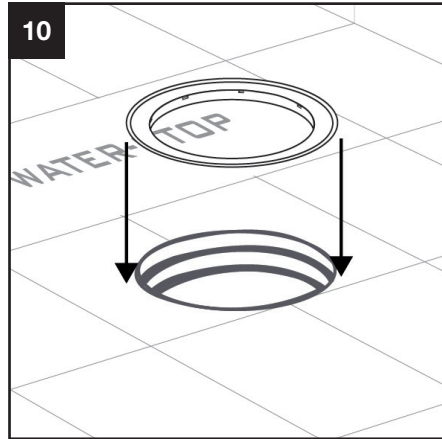


8. Lift the edge of the WATER-STOP sheet, insert the cannula of the W-S Sealant and apply a continuous line of sealant in the perimeter sealant area - WATER-STOP.

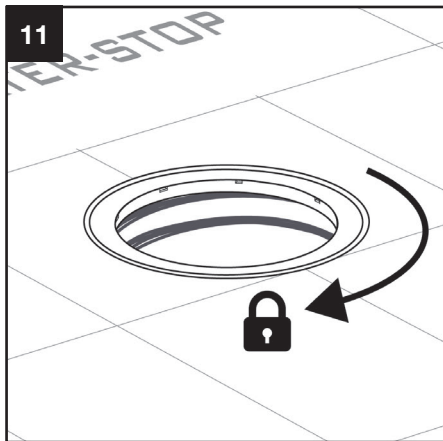
INSTALLATION FOR HD SHOWER TRAY - SQUARE DRAIN



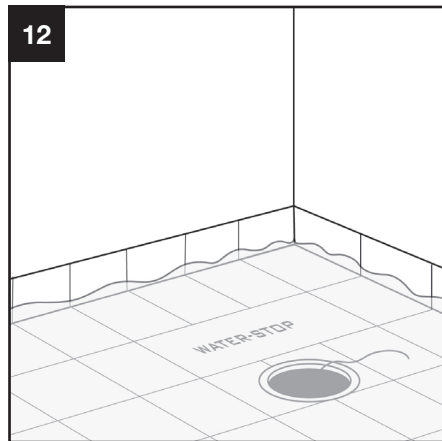
9. Press by hand to distribute the sealant and clean the excess material on the edge.



10. Place the bonding flange in top of the drainbody and press it.

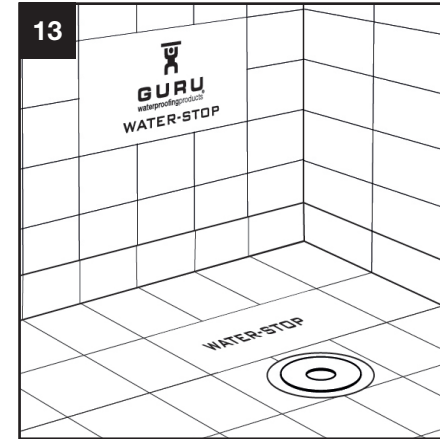


11. Turn it until it is flushed with the shower pan and locked.

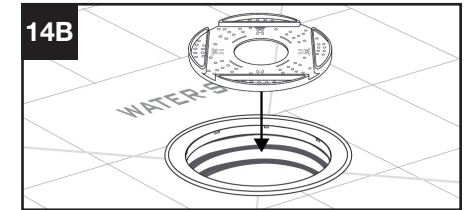
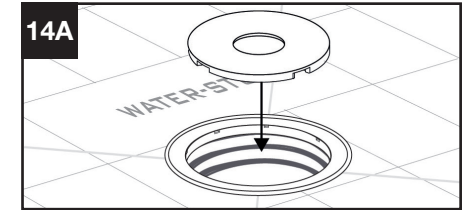


12. Wait one hour before flood test (according local codes) when using Guru W-S Sealant to install the corners.

INSTALLATION FOR HD SHOWER TRAY - SQUARE DRAIN

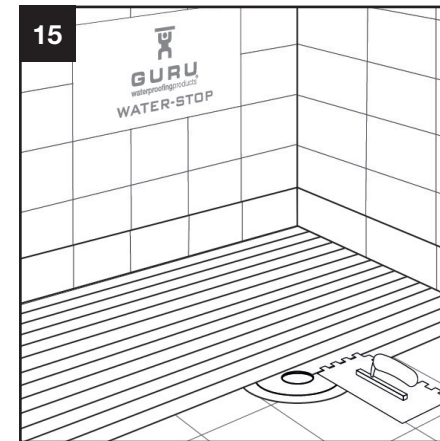


13. Waterproof the walls either with WATER-STOP sheet or W-S Board.

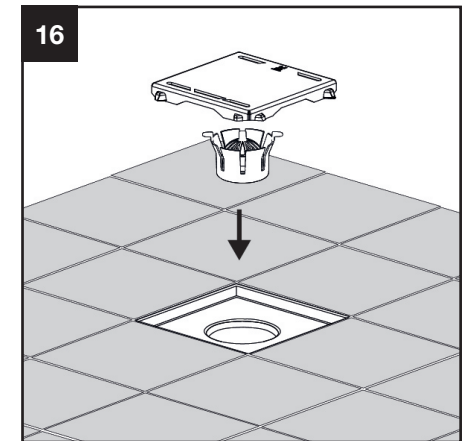


14A. Set the drain receiver in the upright position for standard drain.

14B. Downward position to receive a tileable drain (INTEGRA) from the lowest height level.



15. Tile on top of the WATER-STOP sheet using the tile required notched trowel.



16. Install the tile according to TCNA handbook. Once tiled and grouted add the hair trap and drain strainer.

GURU[®]
waterproofingproducts

GURU USA, L.L.C.

3409 NW 72 AVE UNIT C

33122 MIAMI

FLORIDA

Ph.: +1 800-596-7885

help@guru-usa.com

www.guru-usa.com

