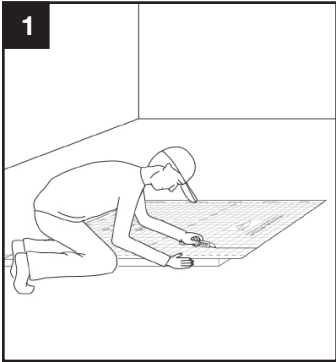
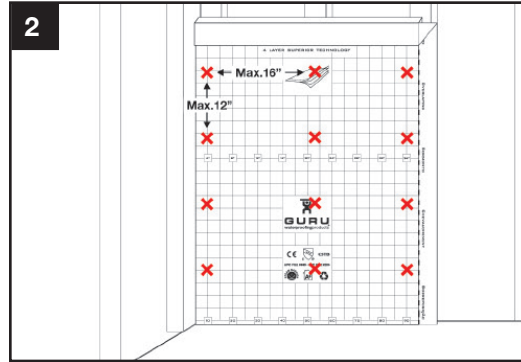


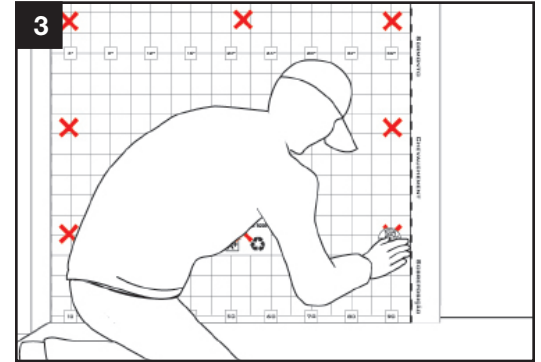
W-S BOARD INSTRUCTIONS



1. Use a utility knife to cut to size the board and to create the cutouts for pipes and fixtures.

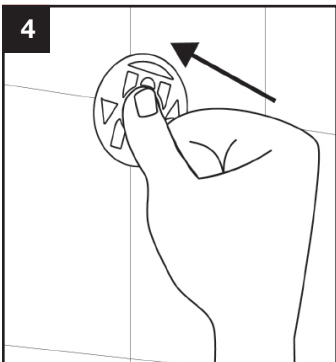


2. Screws should be maximum spaced 12" o.c. (30 cm) vertically and 16" o.c. (41 cm) horizontally. Ceilings: Screws should be maximum spaced 6" o.c. (15 cm).

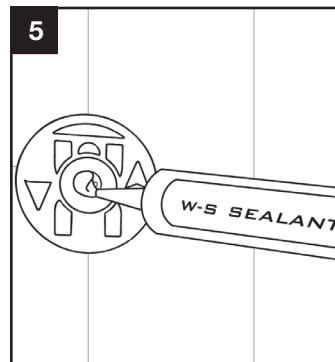
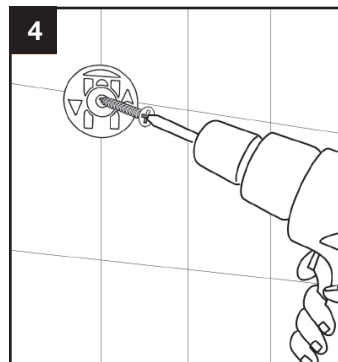


3. Install from the bottom of the wall, fixing the W-S Board to the wall studs.

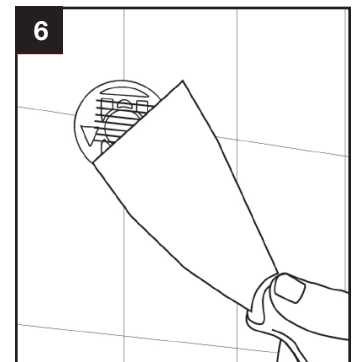
Note: For tub walls first apply a bead of W-S Sealant adhesive along the top edge of the tub, not lower than 4" above the floor, and immediately install the W-S Board.



4. When installing in wood substrate fasten the board directly to studs using W-S Board Screw and W-S Board washers puncturing the board. When installing in metal studs use self-tapping screws. The selected screws must have enough length to reach a depth of at least 3/4" (19 mm) in wood studs and at least 3/8" (10 mm) in metal studs.

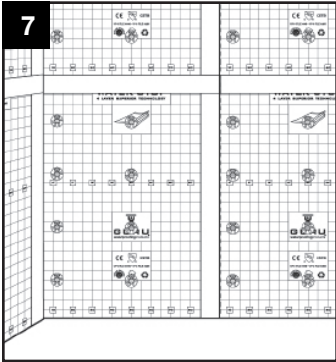


5. W-S Board is waterproof, but for a waterproof installation all joints, corners, pipe penetrations and fasteners must be sealed.

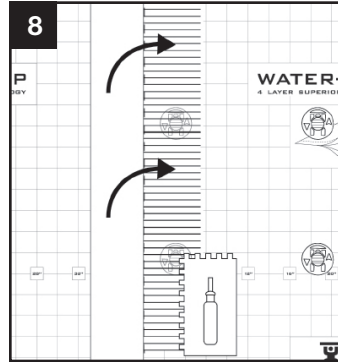


6. Use W-S Sealant to totally cover the puncturation points. Make sure to totally cover any puncturation point with W-S Sealant.

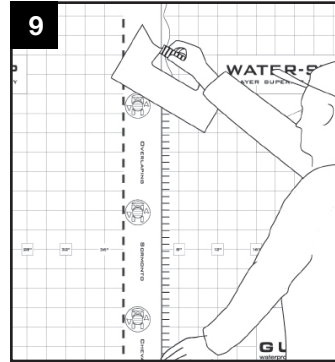
W-S BOARD INSTRUCTIONS



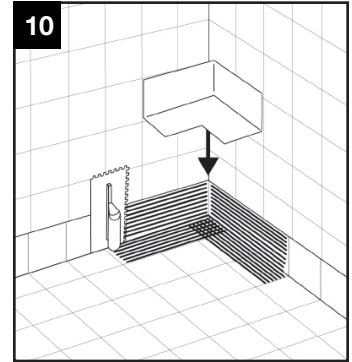
7. Set all the panels surrounding the area. Note the board has a flange to faster seal the board one to the other. Display them to do so.



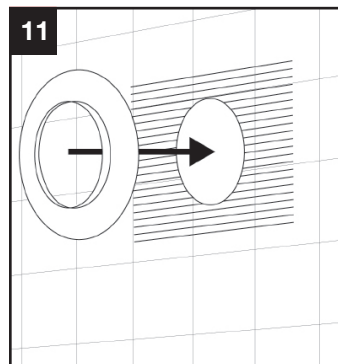
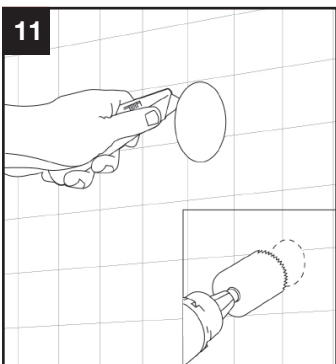
8. To waterproof the joints beyond W-S Board apply modified thin-set mortar with a 1/4" notched trowel (G-Trowel). Use polymer modified thin-set meeting without additives ANSI A118.4, A118.11, or A118.15.



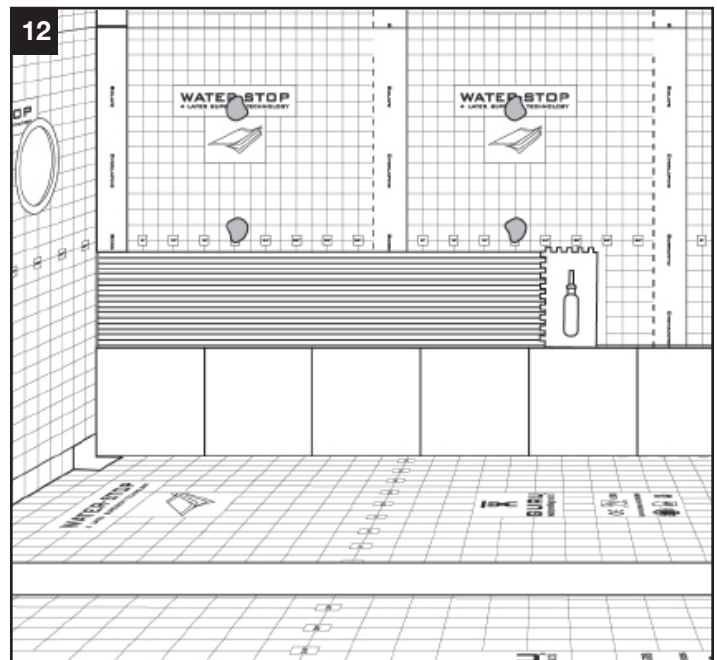
9. Lay the WATER-STOP flange and press firmly. Remove any trapped air to guarantee full adhesion by spreading the adhesive from the inside out using a margin trowel or similar. All excess adhesive should be spread thin ensuring a continuous seal.



10. Use the preformed W-S Corners to seal the installation by following the same procedure as the flanges.



11. Follow the same procedure as before with the flanges and corners to seal the area using the W-S Mixing Valve or W-S pipe connection products. When opening the pipe connection area use a utility knife or a drilling crown.



12. The Tiles can be installed immediately after, using polymer modified thin-set without additives ANSI A118.4, A118.11, or A118.15. Choose a notched trowel to match the tile format.