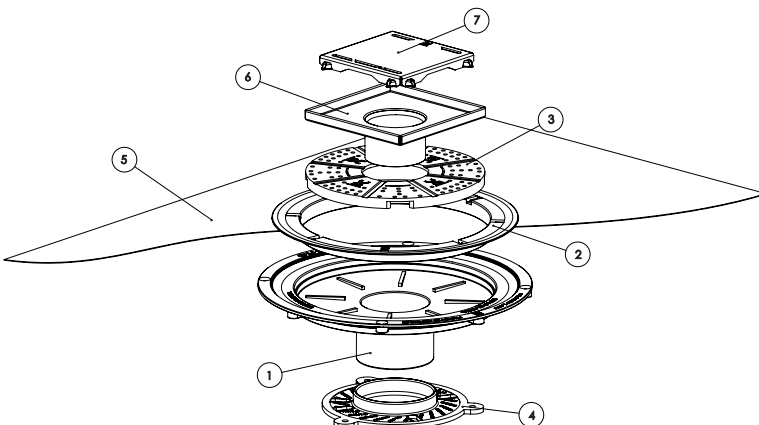
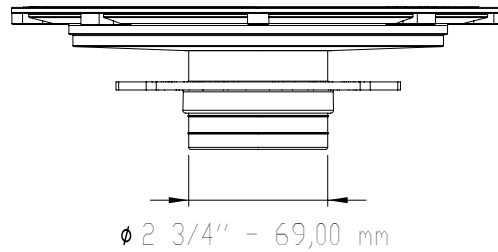
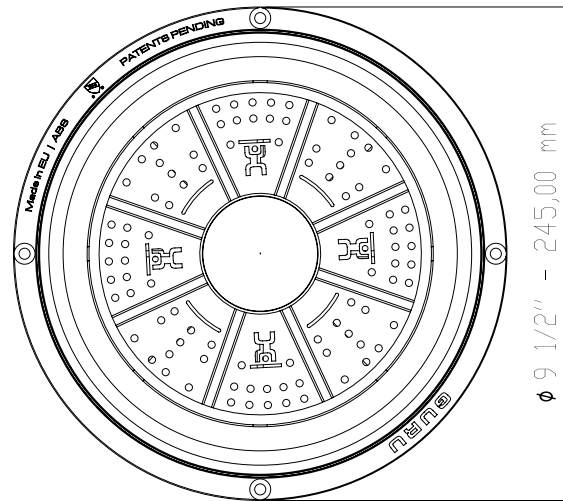


SQUARE DRAIN CONNECTOR

Description: Easy to install shower pipe connection either in mud bed installations or W-S Heavy Duty Shower Tray presloped system. (Mud Bed Universal Connector Included)

Normative References: ASME A112.18.2-2020/CSA B125.2:20, ASME A112.6.3-2019, IAPMO PS 106-2015

Manufacturer: GURU USA L.L.C.



Piece	Description	Material
1	Drain body	ABS/PVC
2	Clamping ring	ABS
3	Height support	ABS
4	Universal adaptor	ABS
5	Water-Stop Membrane	EVAC
6	Drain 4 1/2"	AISI 316
7	Grate 4 1/2"	AISI 316

SQUARE DRAIN CONNECTOR

Normative References: ASME A112.18.2-2020/CSA B125.2:20, ASME A112.6.3-2019, IAPMO PS 106-2015

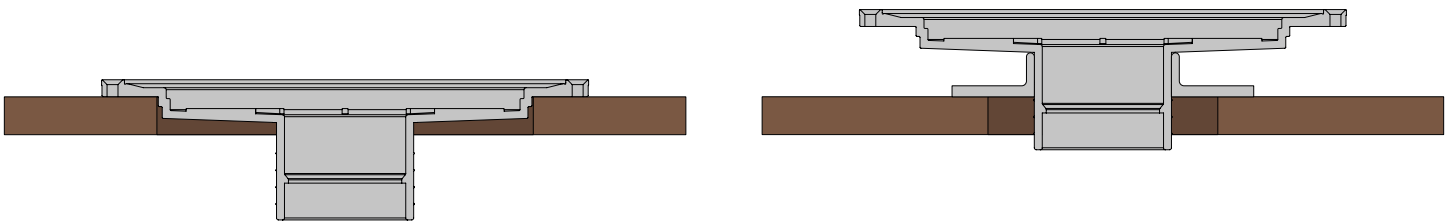
Manufacturer: GURU USA L.L.C.

Factory Code: 310-G

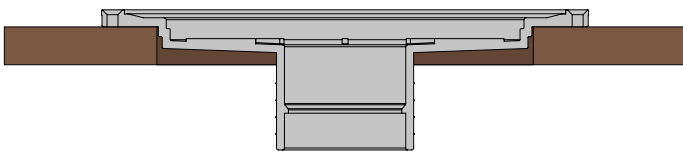
CHARACTERISTICS	METHOD	VALUE
Thermal cycling	5.3	Pass
Coatings	5.4	Pass
Load test	552	Pass
Watertightness	5.7	Pass
Flow rate	5.8	> 8.0 gpm
Hydrostatic pressure	5.9.2	Pass

Installation height options:

- **Mud Bed:** From 3/8" to 1-1/2".



- **W-S heavy Duty Shower Tray:** 3/8".



- **Renovation:** From 1-1/2" to 2".

