

## W-S HEAVY DUTY SHOWER TRAY

**Description:** Heavy duty pre-sloped shower pan with 4" WATER-STOP waterproofing membrane overlap. The hardest shower pan in the market, allowing installation of any tile size, including penny tile.

*WATER-STOP load bearing, bonded waterproof membrane is a IAPMO Listed Product: File Number 9205 9990.*

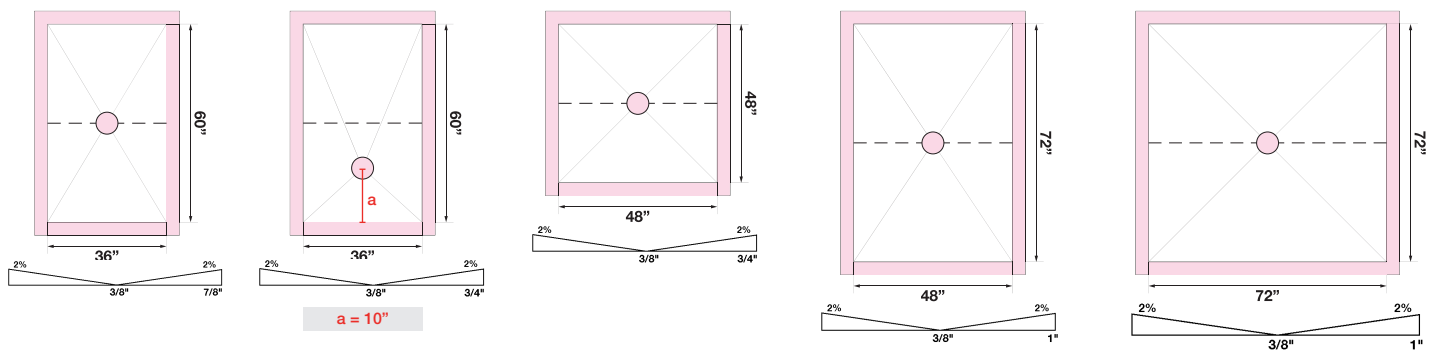
**Normative References:** Normative References: IAPMO PS 106, ANSI A118.10, ASTM E96, TCNA Handbook



PROPERTY	TEST METHOD	VALUE
Nominal density	ASTM D1623	8.7 lb/ft <sup>3</sup> (140 kg/m <sup>3</sup> )
Compressive strength	ASTM D1621	190 psi (1,300 kPa)
Flexural strength	ASTM D790	200 psi (1,370 kPa)
Waterproofness	ASTM D4068	Pass
Water Vapor Transmission	ASTM E96 Proc. E	0.3 Perm
Fungus and Mold Growth Resistance	PS 106 - 5.5	Pass
Thermal resistance (R-value)	ASTM C518	5.8
Shear Strength between the tile and the backing surface		
7- Day Dry	ASTM C482	119 psi (0.8 MPa)
7- Day Water Immersion		83 psi (0.57 MPa)
4- Week		133 psi (0.91 MPa)
12- Week		138 psi (0.95 MPa)
100- Day Water Immersion		85 psi (0.59 MPa)
Resistance to temperature		-22°F / +176°F

## 4 SLOPES SHOWER TRAY SIZES (inches):

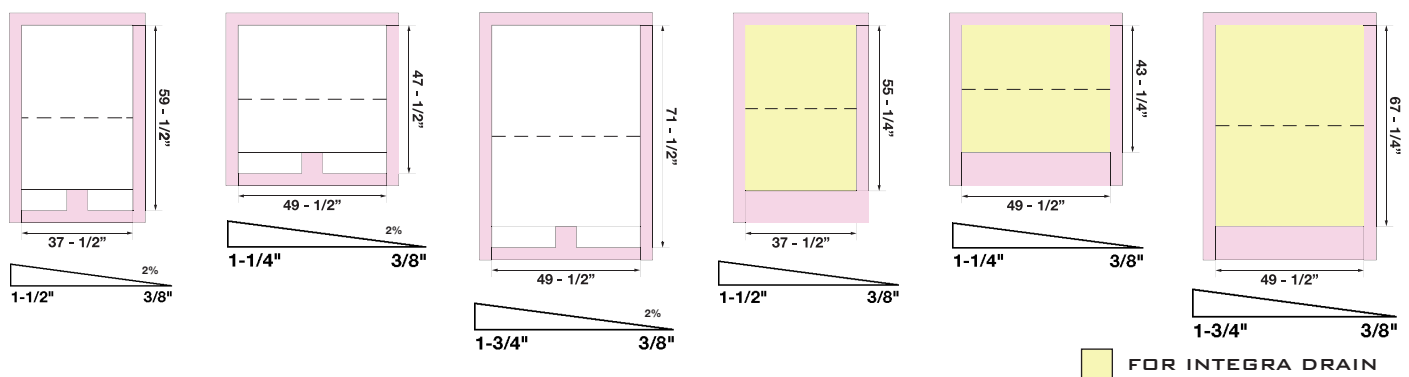
- **IMU9400** | SIZE: 36 x 60 - HEIGHT: 7/8"
- **IMU9404** | SIZE: 36 x 60 off centered drain - HEIGHT: 3/4"
- **IMU9401** | SIZE: 48 x 48 - HEIGHT: 3/4"
- **IMU9402** | SIZE: 48 x 72 - HEIGHT: 7/8"
- **IMU9403** | SIZE: 72 x 72 - HEIGHT: 1"



4" WATER-STOP waterproofing membrane overlap

## 2 SLOPES SHOWER TRAY SIZES (inches):

- **IMU9200** | SIZE: 37-1/2 x 59-1/2 - HEIGHT: 3/8 to 1-1/2"
- **IMU9201** | SIZE: 49-1/2 x 47-1/2 - HEIGHT: 3/8 to 1-1/4"
- **IMU9202** | SIZE: 49-1/2 x 71-1/2 - HEIGHT: 3/8 to 1-3/4"
- **IMU9203** | SIZE: 37-1/2 x 55-1/4 - HEIGHT: 3/8 to 1-1/2"
- **IMU9204** | SIZE: 49-1/2 x 43-1/4 - HEIGHT: 3/8 to 1-1/4"
- **IMU9205** | SIZE: 49-1/2 x 67-1/4 - HEIGHT: 3/8 to 1-3/4"



4" WATER-STOP waterproofing membrane overlap